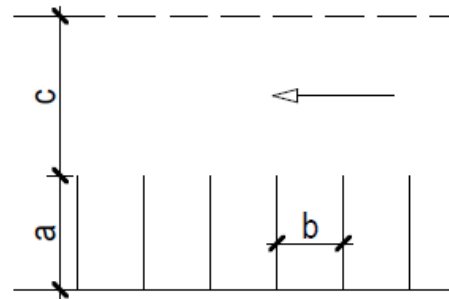
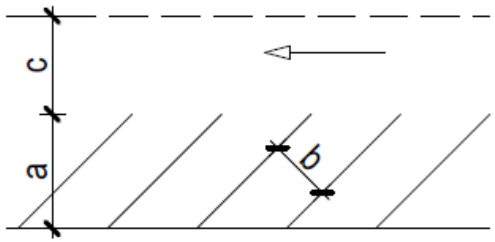
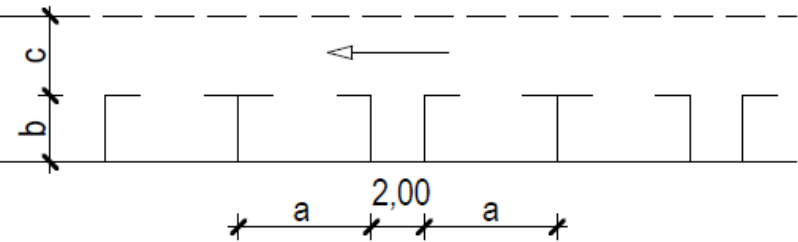


Required parking Places for different functions:

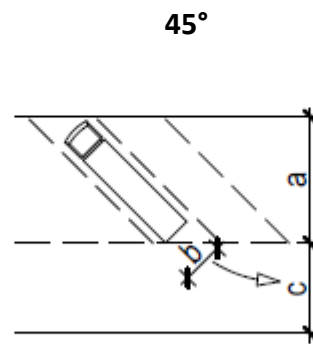
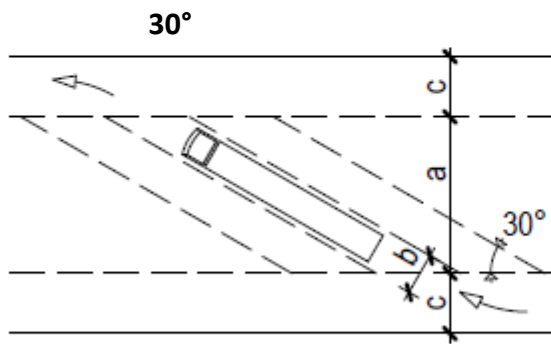
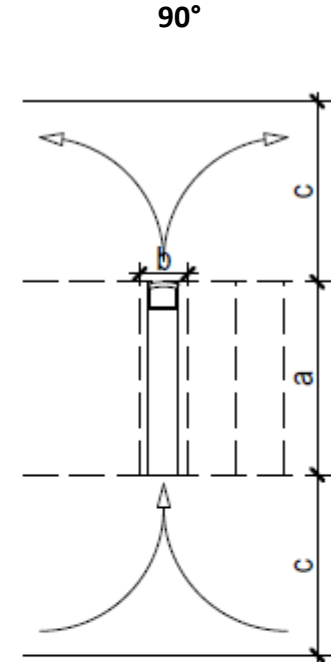
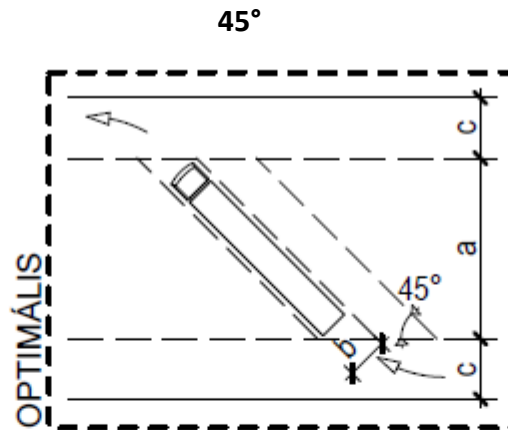
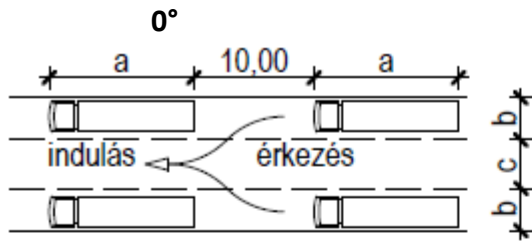
Office:	m ² /20
Trade (shop):	m ² /10 up to 100m ² m ² /20 above 100m ²
Consumer space (coffee):	m ² /5
Industrial (production):	m ² /200
Storage:	m ² /1500
Entertainment:	m ² /50

Required sizes of parking places for cars

sizes of parking places	Type of parking places											
	Paralell			60°-os			45°-os			90°		
	a	b	c	a	b	c	a	b	c	a	b	c
cars	5,00	2,50 (2,00)	3,00	5,70 (5,20)	2,50 (2,30)	4,00	5,20 (4,70)	2,50 (2,30)	3,50	5,50 (5,00)	2,50 (2,30)	5,00

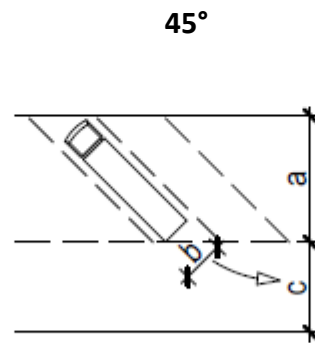
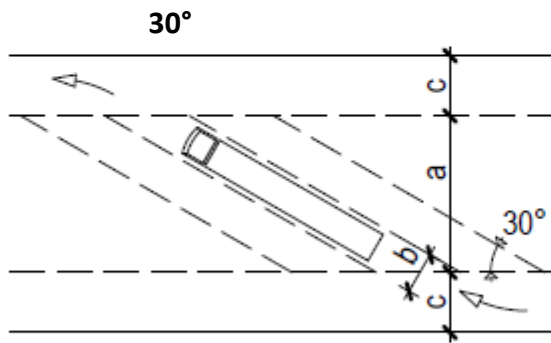
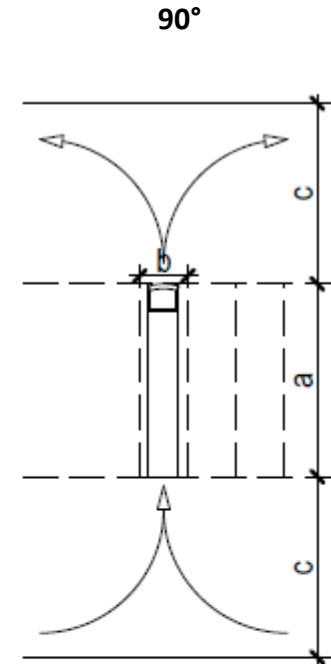
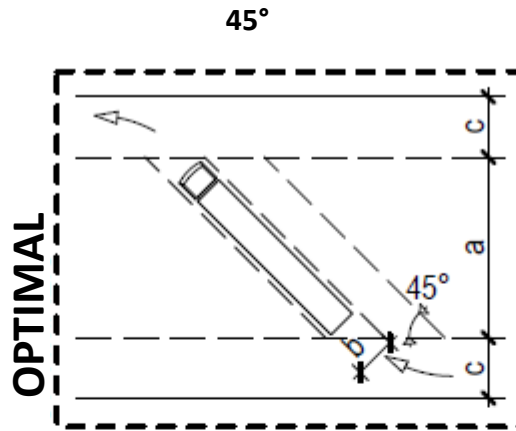
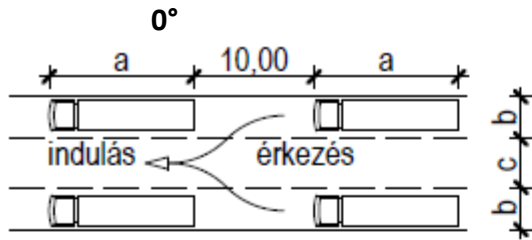


Required sizes of parking places for trucks



sizes of parking places	Type of parking places											
	0°			60°-os			45°			90°		
	a	b	c	a	b	c	a	b	c	a	b	c
trucks	7,00 (6,00)	3,00 (2,50)	3,50	7,20 (6,50)	3,50 (3,00)	5,00	7,00 (6,20)	3,50 (3,00)	4,00	7,00 (6,00)	3,50 (3,00)	6,50

Required sizes of parking places for trucks



sizes of parking places	Type of parking places											
	0°			30°			45°			90°		
	a	b	c	a	b	c	a	b	c	a	b	c
trucks	7,00 (6,00)	3,00 (2,50)	3,50	7,20 (6,50)	3,50 (3,00)	5,00	7,00 (6,20)	3,50 (3,00)	4,00	7,00 (6,00)	3,50 (3,00)	6,50

Typical turning situations:

